

Interlogix NX-8E

Wiring Uplink's Cellular Communicators and Programming the Panel

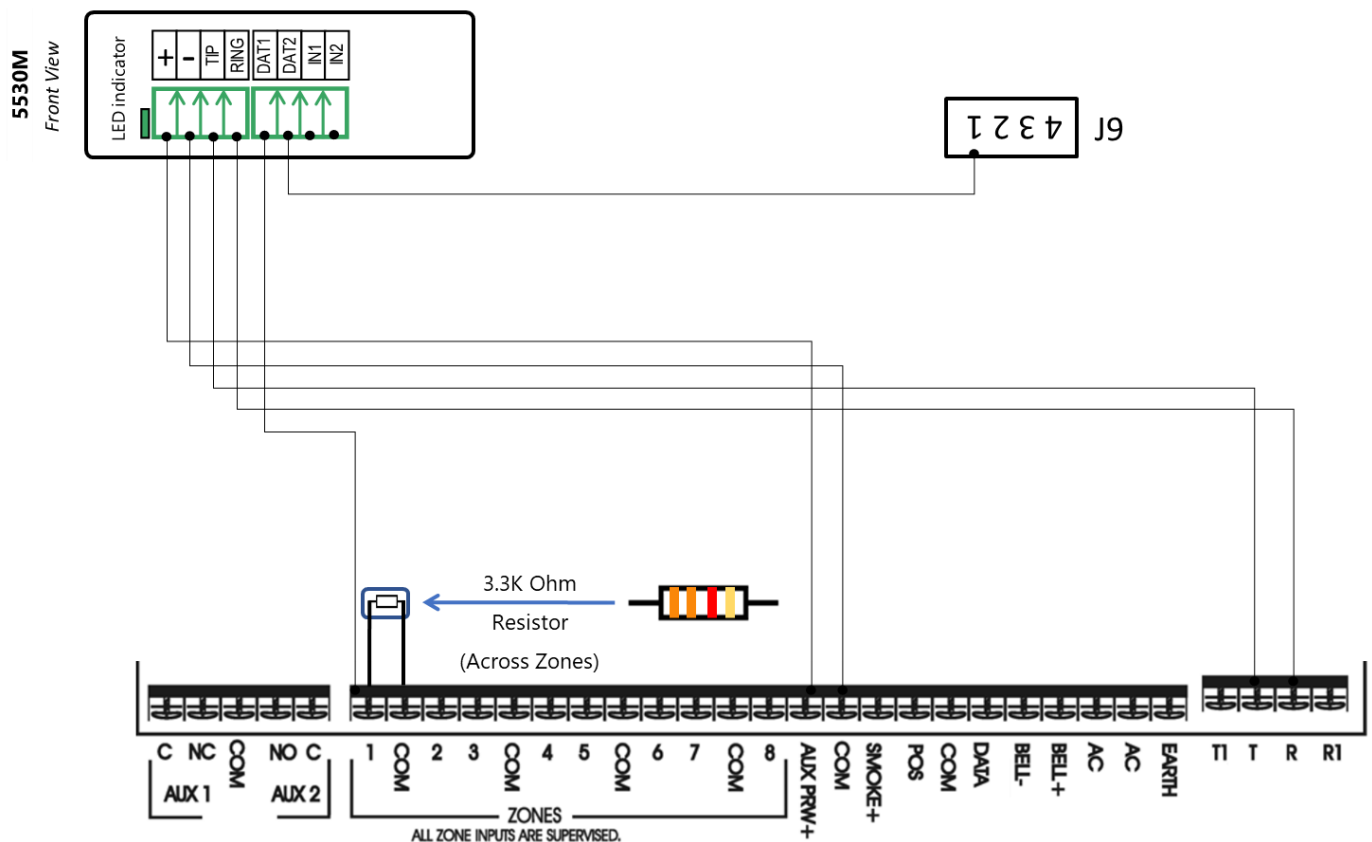
CAUTION:

- It is advised that an experienced alarm installer programs the panel as further programming may be required to ensure proper performance and use of the full functionality.
- Do not route any wiring over circuit board.
- Full panel testing, and signal confirmation, must be completed by the installer.

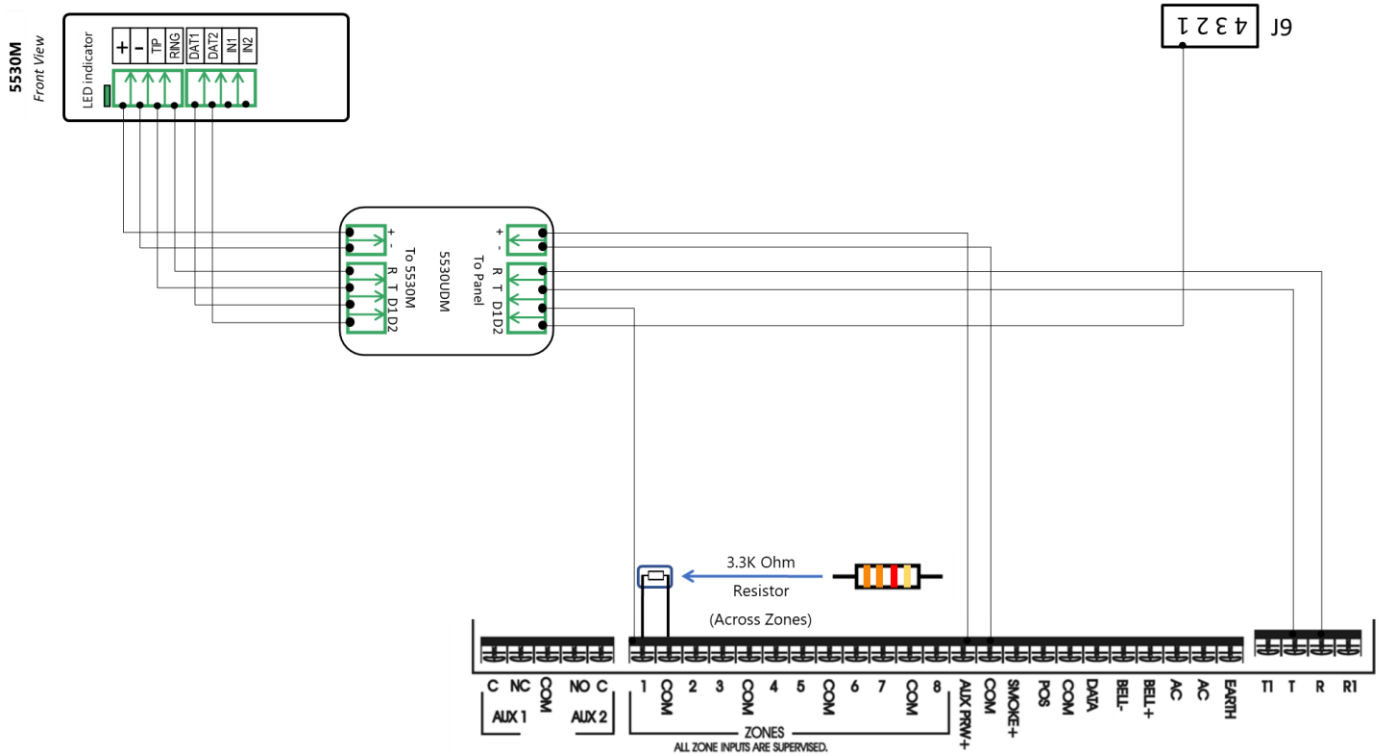
NEW FEATURE: For 5530M Communicators, the status of the panel can be retrieved not only from the status PGM but now also from the Open/Close reports from the dialler. Therefore, wiring the white wire and programming of the status PGM of the panel is optional.

IMPORTANT NOTE: The Open/Close reporting needs to be enabled during the initial pairing procedure.

Wiring the 5530M communicators to Interlogix NX-8E



Wiring the MN Series with UDM to Interlogix NX-8E for UDL for remote upload/download



Programming the Interlogix NX-8E Alarm Panel via the Keypad

Enable Contact ID reporting:

Display	Keypad Entry	Action Description
System ready	*89713	Enter programming mode.
Enter device address	00#	To go to edit main menu.
Enter location	0#	To configure Phone 1.
Loc# 0 Seg#1	15*, 1*, 2*, 3*, 4*, 5*, 6*, #	Set value 123456 and DTMF dialing for this number (Seg#1 = 15). Press # to go back (123456 is just an example).
Enter location	1#	To configure Phone 1 account code.
Loc# 1 Seg#1	1*, 2*, 3*, 4*, #	Type the desired account code (1234 is just an example). # to go back.
Enter location	2#	To configure Phone 1 communicator format.
Loc# 2 Seg# 1	13*	Set the value to 13 which corresponds to "Ademco Contact ID". * to save and go back.
Enter location	4#	To go to "Phone 1 events reported" toggle menu.
Loc# 4 Seg# 1	12345678*	All toggle options should be enabled. * to save and go to next menu.
Loc# 4 Seg# 2	12345678*	All toggle options should be enabled. * to save and go back.
Enter location	5#	To go to "Phone 1 partitions reported" toggle menu.
Loc# 5 Seg# 1	1*	Enable option 1 to enable report events from partition 1 to phone number 1. * to save and go back.

Enter location	23#	To go to "Partition features" menu.
Loc# 23 Seg# 1	*, *, 1, *, #	Press * twice to go to section 3 toggle options menu. Enable option 1 (to enable "Open/Close reporting"), press * to save and then # to go back to the main menu.
Enter location	Exit, Exit	Press "Exit" twice to exit programming mode.

Program Keyswitch zone and output:

Display	Keypad Entry	Action Description
System ready	*89713	Enter programming mode
Enter device address	00#	To go to edit main menu
Enter location	25#	To go to "Zone 1-8 zone type" menu
Loc# 25 Seg# 1	11, *, #	To configure Zone1 type as keyswitch, * to save and go to the next section, # to go back to the main menu.
Enter location	45 #	To go to "Auxiliary output 1 to 4 partition selection" toggle menu.
Loc# 45 Seg# 1	1, *, #	Enable option 1 to assign events from partition 1 to impact output 1. Press * to save and go to next section, then # to go back to the main menu.
Enter location	47#	To go to "Auxiliary output 1 event and times" menu.
Loc# 47 Seg# 1	21*	Enter 21 to assign "Armed status" event to PGM 1. Press * to save and go to the next section.
Loc# 47 Seg# 2	0*	Enter 0 to set the output to follow the event (without delay). Press * to save and go back to the main menu.
Enter location	Exit, Exit	Press "Exit" twice to exit programming mode.

Programming the GE Interlogix NX-8E Alarm Panel via the Keypad for remote Upload/Download (UDL)

Program the Panel for Upload/Download (UDL):

Display	Keypad Entry	Action Description
System ready	*89713	Enter programming mode.
Enter device address	00#	To go to main edit menu.
Enter location	19#	Start configuring "Download Access Code". By default, it is "84800000".
Loc#19 Seg#	8, 4, 8, 0, 0, 0, 0, 0, #	Set download access code to its default value. Press # to save and go back. IMPORTANT - This code should match the one set in the "DL900" software.
Enter location	20#	To go to "Number of rings to answer" menu.
Loc#20 Seg#	1#	Set number of rings to answer to 1. Press # to save and go back.
Enter location	21#	Go to "Download control" toggle menu.
Loc#21 Seg#	1, 2, 3, 8, #	All of these (1,2,3,8) should be OFF in order to disable "AMD" and "Call back".
Enter location	Exit, Exit	Press "Exit" twice to exit programming mode.